

Description

The Pam Loft with steps is the design as the Pam Play Loft with ramp, but is offered in a climbing stairs version. The positioning of the steps on this loft are different to the others in that they are parallel to the loft structure with a turn at the top. This simply offers another loft variation to accommodate different space shapes.

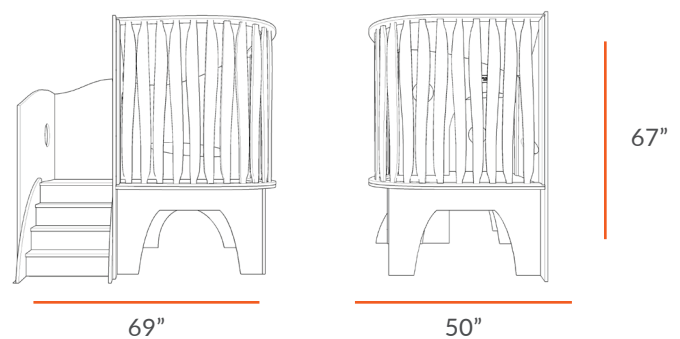
Natural Pod™ Play lofts were designed with the needs of learners in mind. They were intentionally designed to provide endless invitations for open-ended play where children can express themselves freely and let their imaginations transform the space into anything they wish; whether a fort, a castle, a reading nook, an enchanted forest, or perhaps a magical cave. Named after the educators whose own imaginations inspired them, each Natural Pod™ Play Loft is unique, beautiful, sustainable and extremely durable.

Product features

- Edges all smoothed and finished
- Accessible by stairs, promoting motor skills
- Fits in low and small spaces

Views

Refer to Technical Sheet for more details.



Materials

- Europly FSC certified hardwood plywood (FSC R 012337)
- MPX® FSC certified hardwood plywood (FSC R 012337)

natural pod™

TECHNICAL DRAWING

WONDER LOFTS

LENGTH 69"

DEPTH 50"

HEIGHT 67"

Dimensions indicated are approximate. Please contact us if you require clarification.

